

# .hess



## CITY ELEMENTS AND DALVIK – THE PERFECT COMBINATION

## CITY ELEMENTS AND DALVIK – THE PERFECT COMBINATION

The CITY ELEMENTS stand for the most diverse multifunctionality – and that at its best. Due to the impressive combination of the illuminating column with the DALVIK S LED luminaire, the CITY ELEMENTS offer even more possibilities for holistic lighting solutions.

**CITY ELEMENTS and DALVIK – for holistic lighting and infrastructure solutions.**

As a result of the connection of the DALVIK S to the CITY ELEMENTS, its lighting technology becomes more flexible and versatile and thus offers architects, planners and lighting designers an even broader spectrum of applications – and simultaneously, a highly attractive appearance.

In combination with DALVIK S, CITY ELEMENTS incorporates the best of both worlds – maximum multifunctionality and the best light – and with 2 diameters CITY ELEMENTS fits perfectly into any urban conditions and meets any requirement.

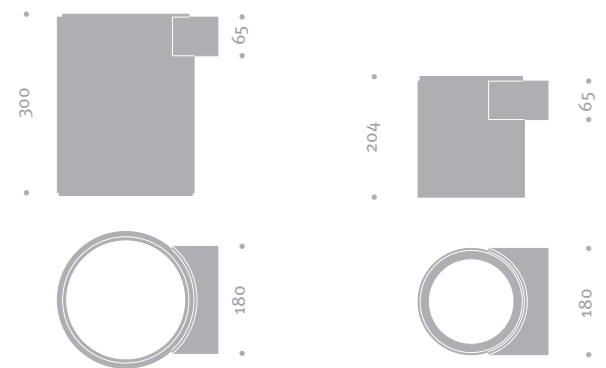


## TECHNICALLY FLEXIBLE – ENTIRELY ACCORDING TO YOUR NEEDS

A choice of 1 to 3 LEVO Q modules, each providing a system capacity of 30 watts, can be fitted with the DALVIK S. The modules are available with asymmetrical as well as rotationally symmetrical optics.

Cluster optics of polymethyl methacrylate (PMMA) thereby ensures optimum light control. For need-based control of light, the DALVIK can of course be coupled with various Hess control systems that enable an individual and intelligent control.

The light colours 3000 K, 4000 K and, upon request, 5600 K are available.



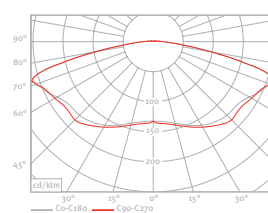
CITY ELEMENTS 230

CITY ELEMENTS 180

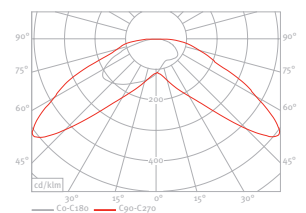
## CITY ELEMENTS and DALVIK – the best light!

### Lighting Character

#### Rotationally symmetrical



#### Asymmetrical



## CONFIGURATION EXAMPLES CITY ELEMENTS 180 / 230

### CITY ELEMENTS 180 with DALVIK S

In combination with the DALVIK S, the CITY ELEMENTS 180 is designed for heights of up to 6 meters. The 180 model can be fitted with up to 6 DALVIK S luminaire heads.

### CITY ELEMENTS 230 with DALVIK S

In combination with the DALVIK S, the CITY ELEMENTS 230 is designed for heights even up to 9 meters. The 230 model can also be fitted with up to 6 DALVIK S luminaire heads.

Number of DALVIK fixtures		1	2	3	4
Wind zone	Wind speed vref (m/s)				
WZ I	22,5	•	•	•	•
WZ II	25,0	•	•	•	•
WZ III	27,5	•	•	•	•
WZ IV	30,0	•	•	•	•

- = Number of standard fixtures;  
5 or 6 fixtures on request

